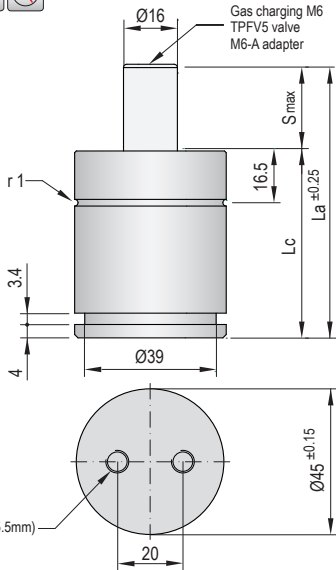


VDI SAFETY



- MICRO
- TITAN
- TPH
- TPS
- TPSP
- TPF
- TPK
- TPC
- TPR
- TPB**

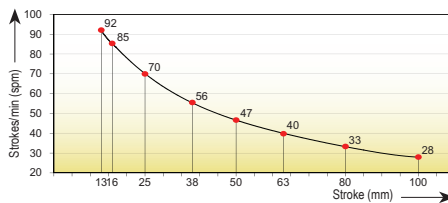


i Pressure medium **Nitrogen (N₂)**

Max. charging pressure	175 Bar
Min. charging pressure	25 Bar
Rod seal area	2,01 cm ²
Operating temperature	0°C - 80°C
Force increase by temperature	0,33 %/°C
Max. stem speed	1,2 m/s
Maintenance kit	Kit B350.1

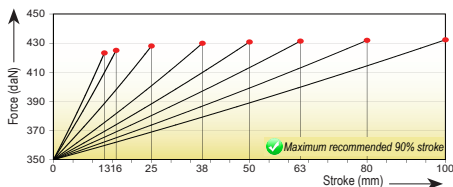


Maximum strokes / minute (at 20°C)

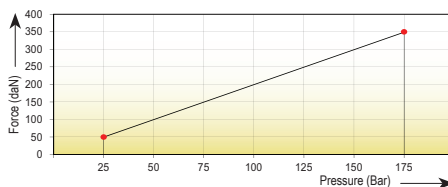


Code	Smax mm	La mm	Lc mm	Fa daN	90% F daN	100% Fc daN	P Bar	V l	Kg
TPB 350x13	13	58	45	350 ±5% (20°C)	415	425	175 (20°C)	0,015	0,34
TPB 350x16	16	64	48		420	425		0,018	0,38
TPB 350x25	25	82	57		420	430		0,028	0,39
TPB 350x38	38	108	70		425	430		0,041	0,43
TPB 350x50	50	132	82		425	435		0,054	0,46
TPB 350x63	63	158	95		425	435		0,067	0,49
TPB 350x80	80	192	112		425	435		0,085	0,57
TPB 350x100	100	232	132		425	435		0,106	0,63

Force/stroke ratio



Initial force/charging pressure ratio



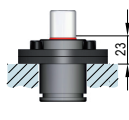
Assembly possibilities



DROP-IN



SCREWS



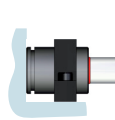
FS 45-FSC 45



FP 45-FPR 45



FB 45



FI 45-FI 45/1